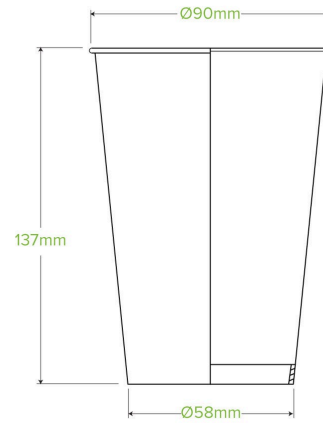


20 Pack – 16oz Cold Paper BioCup RT-BCC-16-5X20P-P



16oz paper cold cups are lined inside and out with Ingeo™, a bioplastic made from plants, not oil – making them the perfect option for cold drinks. BioCups are certified industrially compostable. These cold drink cups are packaged for retail sale and are shelf-ready. Each retail box contains 25 party cups and a carton contains 5 boxes.

Carton quantity: 100	Sleeves per carton: 5	Units per sleeve: 20
Carton Size LxWxH (cm): 49.5x10.5x31.5	Carton gross weight (kg): 3.000000	Carton barcode: 19344062065132
Raw Material: Paper	Lining/coating: Bioplastic - Ingeo, PLA	Window Material: None
Printing Type: Offset	Inks: Food Contact Safe Inks	Brim fill capacity (ml): 510
Dimensions base LxW (mm): 58x58	Product Depth: 137	Thickness: 263gsm
Use: Hot and cold	Manufactured: China	Customise: Yes - Please Contact Our Team For More Information
MOQ custom: MOQ apply see custom packaging	Mould fees: Yes - see custom packaging	Environmental production certified: TBC
Quality product certified: TBC	Factory food safety certified: TBC	Corporate social accreditation: TBC
Home compostable: No	Industrially compostable: Certified to AS4736 Australian Standards, Certified to EN13432 European Standard	Recyclable: TBC